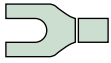
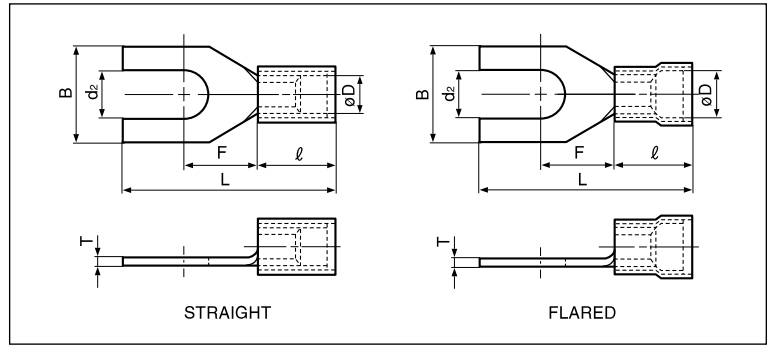
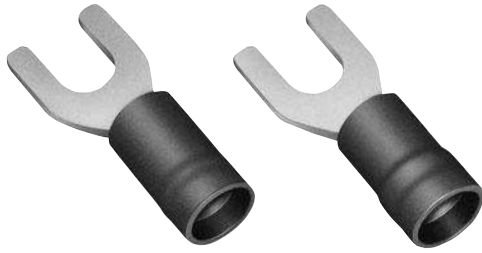
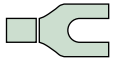


Solderless terminals



SPADE TONGUE (A type) Vinyl-insulated with copper sleeve



Certificate No.: E42024 LR20812

| Applicable Wire AWG#(mm ²) | Stud size | | Part No. | | Standard | Dimensions mm (in.) | | | | | Color | | | Tool No. | Qty/box | | |
|---|-----------|-----------|-------------|--------------|-------------|---------------------|-------------|--------------|-------------|-------------|------------|------------|------------|----------|--|-------|--|
| | American | Metric | Straight | Flared | | d ₂ | B | L | F | ℓ | ø D | | T | | | | |
| | | | | | | | | | | | Str. | Flid. | | | | | |
| 26 to 22 (0.2 to 0.5) | 3-4 | 3 | VD0.5-3A | - | | 3.2 (.126) | 5.0 (.197) | 16.5 (.650) | 6.0 (.236) | 8.0 (.315) | 2.2 (.087) | 2.5 (.098) | 0.5 (.020) | Yellow | YNT-2622 YA-1, YA-2 BCT-0514 | 1,000 | |
| | 5-6 | 3.5 | VD0.5-3.7A | - | | 3.7 (.146) | 6.4 (.252) | 19.0 (.748) | 7.7 (.303) | 8.3 (.327) | | | | | | | |
| | 3-4 | 3 | - | FVD0.5-3A | | 3.2 (.126) | 5.0 (.197) | 16.8 (.661) | 6.0 (.236) | 8.3 (.327) | | | | | | | |
| | 5-6 | 3.5 | - | FVD0.5-3.7A | | 3.7 (.146) | 6.4 (.252) | 19.3 (.760) | 7.7 (.303) | 8.3 (.327) | | | | | | | |
| 22 to 16 (0.25 to 1.65) | 1-2 | 2 | VD1.25-2A | FVD1.25-2A | | 2.2 (.087) | 4.6 (.181) | 19.4 (.764) | 4.3 (.169) | 9.6 (.378) | 3.5 (.138) | 4.0 (.157) | 0.8 (.031) | Red | YNT-2216 YA-1 YA-2 YA-4 BCT-0514 | 1,000 | |
| | 3-4 | 3 | VD1.25-B3A | FVD1.25-B3A | | 3.2 (.126) | 5.8 (.228) | 20.6 (.811) | 6.3 (.248) | | | | | | | | |
| | 5-6 | 3.5 | VD1.25-N3A | FVD1.25-N3A | | 3.7 (.146) | 6.2 (.244) | 20.6 (.811) | 6.3 (.248) | | | | | | | | |
| | 5-6 | 3.5 | VD1.25-YS3A | FVD1.25-YS3A | | 3.7 (.146) | 6.4 (.252) | 20.2 (.795) | 6.3 (.248) | | | | | | | | |
| | 5-6 | 3.5 | VD1.25-S3A | FVD1.25-S3A | | 3.7 (.146) | 7.2 (.284) | 20.6 (.811) | 6.3 (.248) | | | | | | | | |
| | 5-6 | 3.5 | VD1.25-P3A | FVD1.25-P3A | | 3.7 (.146) | 7.5 (.295) | 18.6 (.732) | 5.5 (.217) | | | | | | | | |
| | 8 | 4 | VD1.25-YS4A | FVD1.25-YS4A | | 4.3 (.169) | 6.4 (.252) | 20.2 (.795) | 6.3 (.248) | | | | | | | | |
| | 8 | 4 | VD1.25-S4A | FVD1.25-S4A | | 4.3 (.169) | 7.2 (.284) | 20.6 (.811) | 6.3 (.248) | | | | | | | | |
| | 8 | 4 | VD1.25-4A | FVD1.25-4A | | 4.3 (.169) | 8.5 (.335) | 20.6 (.811) | 7.0 (.276) | | | | | | | | |
| | 10 | 5 | VD1.25-S5A | FVD1.25-S5A | | 5.3 (.209) | 7.2 (.284) | 20.6 (.811) | 6.3 (.248) | | | | | | | | |
| | 10 | 5 | VD1.25-M5A | FVD1.25-M5A | | 5.3 (.209) | 8.5 (.335) | 20.6 (.811) | 7.0 (.276) | | | | | | | | |
| 10 | 5 | VD1.25-5A | FVD1.25-5A | 5.3 (.209) | 9.5 (.374) | 20.6 (.811) | 7.0 (.276) | | | | | | | | | | |
| 1/4 | 6 | VD1.25-6A | FVD1.25-6A | 6.4 (.252) | 12.0 (.472) | 26.8 (1.055) | 11.0 (.433) | | | | | | | | | | |
| 16 to 14 (1.04 to 2.63) | 3-4 | 3 | VD2-N3A | FVD2-N3A | | 3.2 (.126) | 5.9 (.232) | 20.6 (.811) | 6.3 (.248) | 9.6 (.378) | 4.1 (.161) | 4.7 (.185) | 0.8 (.031) | Blue | YNT-1614 YA-1 YA-2 YA-4 BCT-0514 | 1,000 | |
| | 3-4 | 3 | VD2-M3A | FVD2-M3A | | 3.2 (.126) | 6.0 (.236) | 19.3 (.760) | 5.0 (.197) | | | | | | | | |
| | 5-6 | 3.5 | VD2-YS3A | FVD2-YS3A | | 3.7 (.146) | 6.4 (.252) | 20.2 (.795) | 6.3 (.248) | | | | | | | | |
| | 5-6 | 3.5 | VD2-S3A | FVD2-S3A | | 3.7 (.146) | 7.2 (.284) | 20.8 (.819) | 6.5 (.256) | | | | | | | | |
| | 5-6 | 3.5 | VD2-3A | FVD2-3A | | 3.7 (.146) | 8.5 (.335) | 21.6 (.850) | 7.3 (.287) | | | | | | | | |
| | 8 | 4 | VD2-YS4A | FVD2-YS4A | | 4.3 (.169) | 6.4 (.252) | 20.2 (.795) | 6.3 (.248) | | | | | | | | |
| | 8 | 4 | VD2-YM4A | FVD2-YM4A | | 4.3 (.169) | 6.8 (.268) | 20.2 (.795) | 6.3 (.248) | | | | | | | | |
| | 8 | 4 | VD2-S4A | FVD2-S4A | | 4.3 (.169) | 7.2 (.284) | 20.8 (.819) | 6.5 (.256) | | | | | | | | |
| | 8 | 4 | VD2-4A | FVD2-4A | | 4.3 (.169) | 8.5 (.335) | 21.6 (.850) | 7.3 (.287) | | | | | | | | |
| | 10 | 5 | VD2-M5A | FVD2-M5A | | 5.3 (.209) | 8.5 (.335) | 21.6 (.850) | 7.3 (.287) | | | | | | | | |
| | 10 | 5 | VD2-5A | FVD2-5A | | 5.3 (.209) | 9.5 (.374) | 21.6 (.850) | 7.3 (.287) | | | | | | | | |
| 1/4 | 6 | VD2-6A | FVD2-6A | 6.4 (.252) | 12.0 (.472) | 26.8 (1.055) | 11.0 (.433) | | | | | | | | | | |
| 12 to 10 (2.63 to 6.64) | 5-6 | 3.5 | VD5.5-S3A | FVD5.5-S3A | | 3.7 (.146) | 7.2 (.283) | 26.7 (1.051) | 7.5 (.295) | 14.0 (.551) | 5.7 (.224) | 6.5 (.256) | 1.0 (.039) | Yellow | YNT-1210S YA-4 BCT-0514 | 500 | |
| | 5-6 | 3.5 | VD5.5-3A | FVD5.5-3A | | 3.7 (.146) | 9.5 (.374) | 26.7 (1.051) | 7.5 (.295) | | | | | | | | |
| | 8 | 4 | VD5.5-S4A | FVD5.5-S4A | | 4.3 (.169) | 8.5 (.335) | 26.7 (1.051) | 7.5 (.295) | | | | | | | | |
| | 8 | 4 | VD5.5-4A | FVD5.5-4A | | 4.3 (.169) | 9.5 (.374) | 26.7 (1.051) | 7.5 (.295) | | | | | | | | |
| | 10 | 5 | VD5.5-5A | FVD5.5-5A | | 5.3 (.209) | 9.5 (.374) | 26.7 (1.051) | 7.5 (.295) | | | | | | | | |
| | 1/4 | 6 | VD5.5-6A | FVD5.5-6A | | 6.4 (.252) | 13.5 (.532) | 32.7 (1.287) | 12.2 (.480) | | | | | | | | |
| | 5/16 | 8 | VD5.5-8A | FVD5.5-8A | | 8.4 (.331) | 13.5 (.532) | 32.7 (1.287) | 12.2 (.480) | | | | | | | | |

Note: 1) The part numbers indicated in the above table are for products with a brazed seam.
 When ordering products with a butted seam, add the prefix "WS" to the part number (ex. VD2-4A → **VDWS2-4A**).
 2) To order products with nylon insulation, change the "V" in the part number prefix to "N" (ex. VD2-4A → **ND2-4A**).
 Because nylon absorbs moisture, care must be taken concerning storage.
 3) Delivery lead times may vary depending on the product. Contact JST for details.